

# **iGENIX**

## **1600W BAGLESS UPRIGHT VACUUM WITH HEPA FILTER**

Model Number: IG2416

### **INSTRUCTIONS FOR USE**



**Thank you for purchasing this product.  
Please read these instructions carefully before use**

# Trouble with your vacuum cleaner? ...

## Try our troubleshooting guide on page 12.

## If that does not solve the issue contact us ...

The logo for iGENIX, featuring the word 'iGENIX' in a bold, sans-serif font. The 'i' is lowercase and has a dot, while 'GENIX' is uppercase. The letters are black with a white outline.

**Tel:** 01473 271 272

**Email:** [info@igenix.co.uk](mailto:info@igenix.co.uk)

**Fax:** 01473 270 733

**Website:** [www.igenix.co.uk](http://www.igenix.co.uk)

**Postal Address:**

Customer Service Department  
Pik-a-Pak Electrical Distributors  
38 Bluestem Road,  
Ransomes Europark,  
Ipswich, IP3 9RR

*When writing or emailing us to report a fault please ensure you attach a copy of your proof of purchase.  
Please retain your original*

## SAFETY INSTRUCTIONS

**Important:** This appliance is not intended for use by persons including children with reduced physical, sensory or mental capabilities, or lack of experience and knowledge, unless they have been given supervision or instruction concerning use of the appliances by a person responsible for their safety.

1. Read these instructions before use and keep in a safe place.
2. Do not use or keep the vacuum outside.
3. Store the vacuum inside in a dry environment away from accidental damage.
4. Do not allow the mains lead to become strained or run the vacuum over it.
5. If the electrical cable becomes damaged, stop using the vacuum immediately.
6. Children do not understand the dangers associated with operating electrical equipment. Never allow children to use this vacuum.
7. Never use the vacuum without the filter installed.
8. Never use the vacuum to pick up hot ashes, broken glass, sharp objects or liquids.
9. Never use in the presence of explosive liquids or vapours.
10. Never pick up inflammable or poisonous liquids such as petrol, copier toner, or other volatile substances.
11. Never pick up acids, asbestos or asbestos dust.
12. Always disconnect the appliance from the mains supply after use or prior to cleaning the vacuum or emptying the dust tank.
13. The vacuum should never be left running unsupervised.
14. Never modify the vacuum in anyway. Unauthorised modifications will void your warranty.
15. Repairs to electrical appliances are only to be undertaken by trained personnel. Repairs by untrained professionals can be dangerous.
16. Never handle the vacuum cleaner with wet hands.
17. Static charge can occur in many ways and, when vacuuming, certain carpets may generate small static charges in the clear bin. These are harmless and are not associated with the mains supply. To minimise the effect from this, do not put your hand or insert any object into the clear bin unless you have first emptied and rinsed out the clear bin with water.
18. Check that the voltage on the rating plate of the vacuum corresponds with your house electricity supply which must be A.C.
19. If the fuse in the 13 amp plug requires replacing, a BS1362 13 amp fuse must be used.
20. If the power cord is damaged, it must be replaced by the manufacturer, its service agent or a similarly qualified person in order to avoid a hazard.

## SPECIFICATIONS

<b>Voltage:</b>	220-240V, 50/60Hz
<b>Power consumption:</b>	1600W (Max)
<b>Capacity:</b>	2.5 Litres

### **Disclaimer**

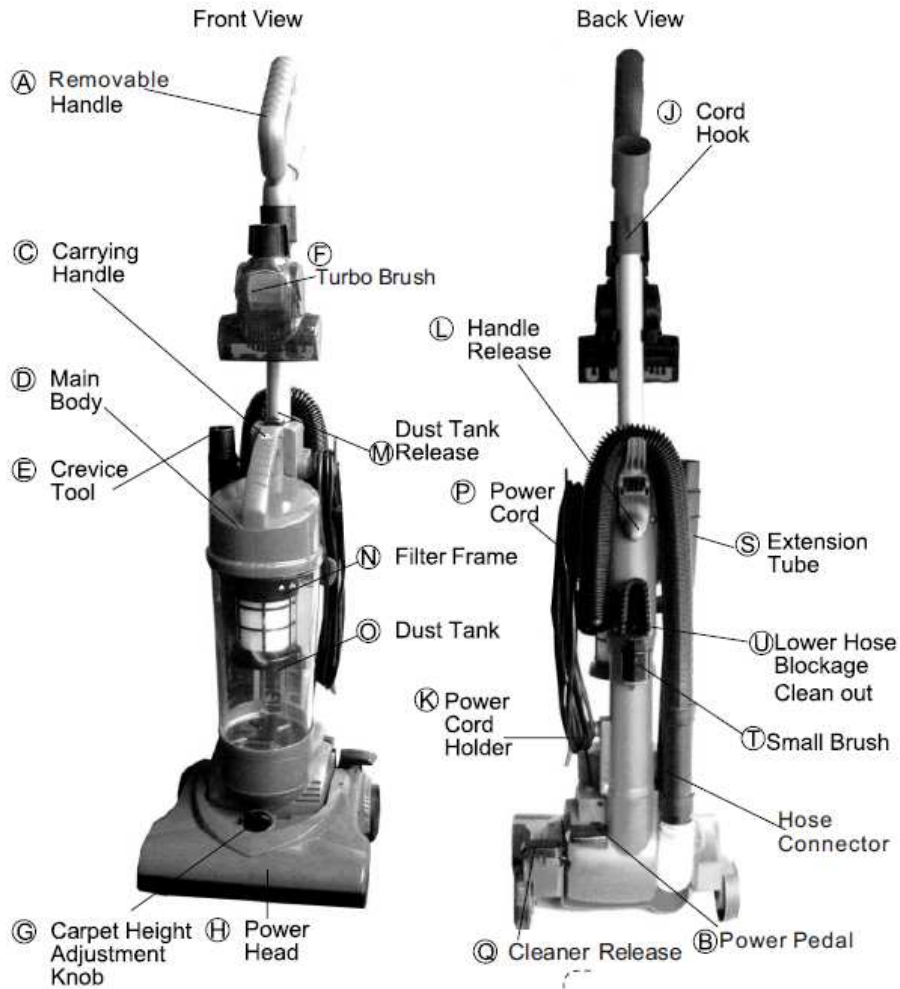
Updates to hardware components are made regularly. Therefore some of the instructions, specifications and pictures in this documentation may differ slightly from your particular situation. All items described in this guide are for illustration purposes only and may not apply to your particular situation. No legal right or entitlements may be obtained from the description made in this manual.

### **Disposal of Old Electrical Appliances**





The European Directive 2002/96/EC on Waste Electrical and Electronic Equipment (WEEE), requires that old household electrical appliances must not be disposed of in normal unsorted municipal waste. Old appliances must be collected separately in order to optimise the recovery and recycling of the materials they contain and reduce the impact on human health and the environment. The crossed out "wheeled bin" symbol on the product reminds you of your obligation, that when you dispose of the appliance it must be separately collected. Consumers should contact their local authority or retailer for information concerning the correct disposal of their old appliance.



# IG2416 – 1600W Bagless Vacuum at a Glance



## Accessories

	Crevice Tool	To vacuum corners and small spaces.
	Small Brush	To clean curtains, etc.
	HEPA Filter	Keep the HEPA Filter safe for future use.
	Turbo Brush (not included)	To clean carpets, rugs or smooth surfaces.

Only use the accessories provided with the vacuum cleaner or recommended by the manufacturer.

**Please Note:** The Turbo Brush (F) is an optional accessory and must be purchased separately.

## Assembly

1. Carefully unpack all of the components, making sure to remove all packaging.
2. Insert the back body into the power head and secure the back body with the screws.  
See fig.1.



3. Insert the removable handle (A) into the body of the cleaner and press the handle release (L).  
See fig.2.

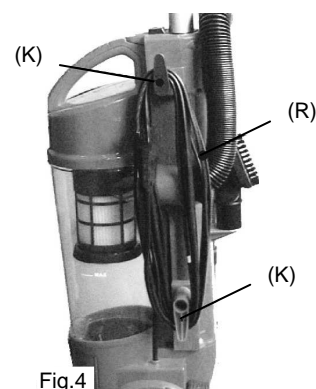


4. Connect the hose and put the dust collector on to the main body of the unit.  
See fig.3.



## Cord Storage

1. Make sure that the quick release Cord Holder (K) is in the upright position.
2. Wrap the Power Cord (R) into place by wrapping in a clockwise direction around the Power Cord Holders (K).  
See fig.4.



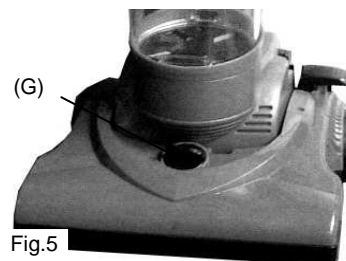
## Quick Release Cord Storage

3. Rotate the upper Power Cord Holder (K) 180° to unwrap the power cord.

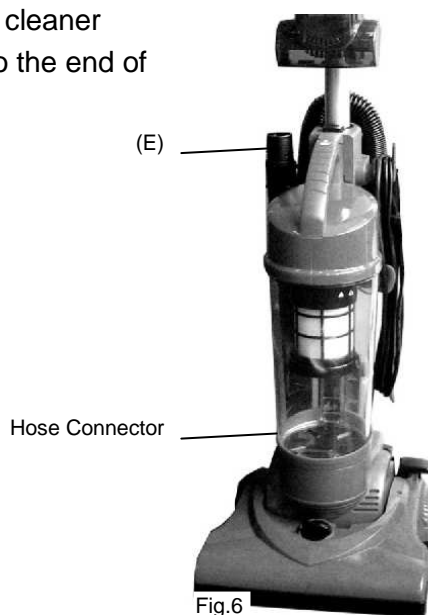
⚠ **Note:** Wrapping the cord with excessive tension could damage the cord. Ensure that the vacuum is switched off before plugging into the mains.

## Using the Attachments

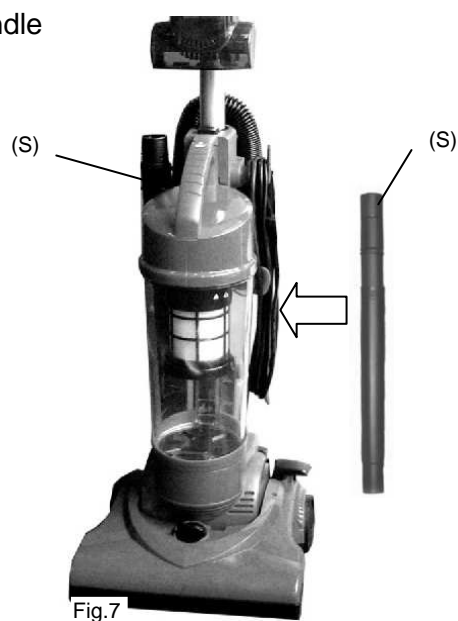
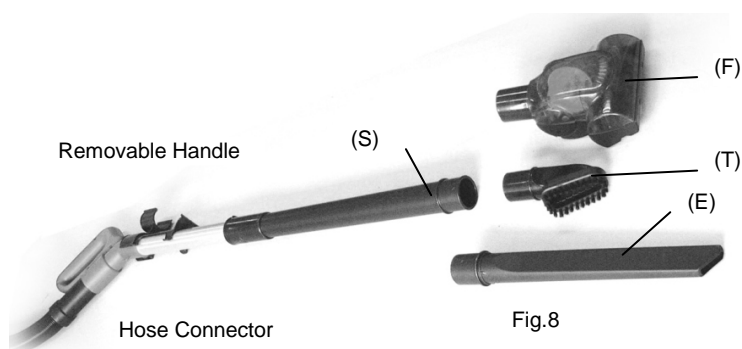
1. Place the vacuum cleaner in its upright position. Make sure that the vacuum cleaner is NOT plugged into the mains when adding or removing accessories.
2. Turn the Carpet Height Adjustment Knob (G) to the highest position. See fig.5.



3. Remove the hose from the rear of the vacuum cleaner and push in the desired attachment firmly on to the end of the hose. See fig.6.



4. If additional length is required, take the removable handle and attach to the end of the hose and then attach Extension Tubes (S) and the Crevice Tool (E), Small Brush (T) or the Turbo Brush (F). See fig.7 and 8.



⚠ **Warning:** Avoid tipping the vacuum cleaner or standing it on furniture, fringed rugs or carpeted stairs, whilst you use the hose with the attachments. When the vacuum cleaner is turned on, the brush bar will continue to rotate. Avoid leaving the vacuum cleaner in one place for an extended period of time, particularly on thick carpet.

⚠ **CAUTION:** Do not pull the vacuum cleaner around the room by the hose as it could tip over and cause damage. Do not over stretch the hose. Trying to reach beyond the hose's extended length could cause the vacuum cleaner to tip over.

## Operating Instructions

### How to Start

1. Turn the upper Power Cord Holder (K) 180° to release the Power Cord (R), and insert the power cord into the cord hook.
2. Plug the Power Cord (R) into the mains.
3. Depress the cleaner Release (Q) pedal to release the handle. See fig.10.
4. Depress the Power Pedal (B) to turn on the unit. See fig.10.

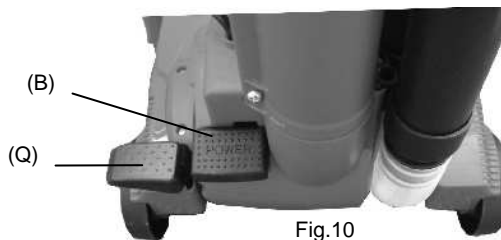


Fig.10

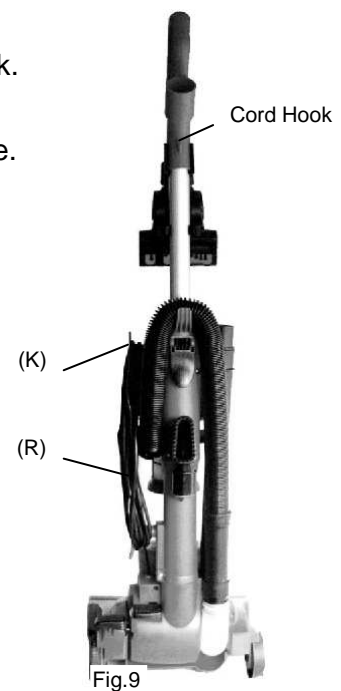


Fig.9

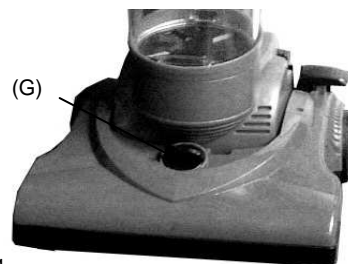
### Carpet Height Adjustment

Your vacuum cleaner can be used on multiple types of carpeting, bare floors or upholstery with attachments. To select a pile height setting:

1. Turn the vacuum cleaner off.
2. Release the handle by depressing the Release pedal (Q).
3. Select a pile height setting by turning the Carpet Height Adjustment Knob (G) to the desired setting.



Fig.11



4. This upright cleaner has five height settings.

### **Suggested Pile Height Setting**

You may need to choose a higher setting to make some jobs easier, such as vacuuming scatter rugs and longer pile carpets.

**PLUSH (HIGH) ●** : Shag carpet, long pile, and plush scatter rugs – medium to long pile.

**BARE (LOW) ○** : Short to medium pile, very low pile or bare floors.

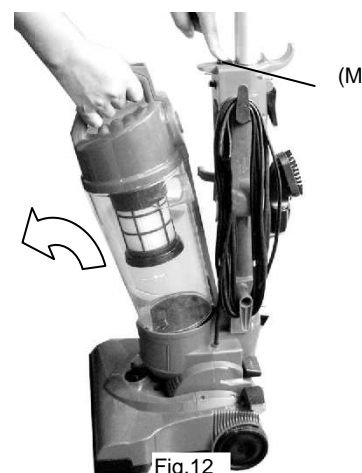
Set the dial to the PLUSH setting when using attachments to prevent possible damage to the floor and/or carpet.

⚠ **ATTENTION:** Special care is required when vacuuming certain types of carpet or floor coverings. Always check the carpet or floor covering manufacturer's recommended cleaning instructions before vacuuming.

### **Removing & Emptying the Dust Container**

⚠ **Warning:** To reduce the risk of electric shock, the power cord must be disconnected before removing the dust container, changing the filters or performing maintenance / troubleshooting checks. The dust container must always be emptied when the dirt level reaches the MAX line on the dust container.

1. To remove the dust container, press the dust container release button and pull the dust container out from the unit. See fig.12.



2. To empty the dust container, hold it by the handle over the dustbin and press the trap door release button to empty it. See fig.13.

To minimize dust/allergen contact when emptying, enclose the trap door end of the dust container with a plastic bag and shake the dirt into the bag. Seal the bag tightly and dispose as normal.

⚠ **Note:** To obtain the best results from your cleaner the dust container needs to be cleaned regularly; otherwise the airflow and cleaning power will be reduced. When the performance deteriorates it is necessary to clean the dust container. Check it there are any blockages in the accessories or tubes and follow the filter cleaning instructions for optimum performance.



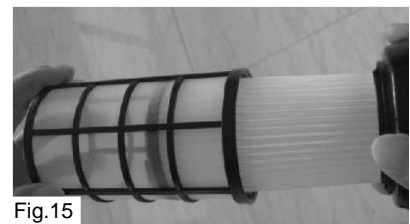
### **Cleaning the HEPA Dust Container Filter**

⚠ **IMPORTANT:** The washable HEPA filter will stop most of the tiniest dust particles and airborne allergens from re-entering the air that you breathe. It stops around 99.97% of all particles as small as 0.3 microns – many times smaller than a human hair! As a result of this incredible filtration performance, the HEPA filter will quickly accumulate many fine dust particles inside the white filter folds that are difficult to see but will eventually block or reduce your suction power, if not cleaned properly.

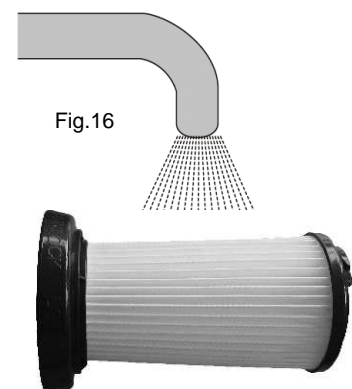
1. To remove the HEPA filter, unlock and remove the dust container cover by turning the cover clockwise until the arrow on the cover aligns with the arrow on the handle and then lift the cover off. See fig.14.



2. Remove the washable HEPA Filter from the filter frame (N). See fig.15
3. Tap the HEPA filter on a hard surface until no more dust can be seen falling out.
4. The filter frame can be rinsed in lukewarm water to remove any dust that has become attached to it. Allow the filter frame to dry completely before reassembling.
5. Reassemble the filter and filter frame and re-attach to the dust container cover.



Alternatively, the HEPA Filter may also be washed by running it under the tap. See fig.16. Allow the filter to completely dry before reassembling.



It is normal that with use, the white material that the HEPA filter is made from will discolour over time. This is normal and does not affect the performance of the filter.

⚠ **Warning:** Never overfill the dust container. Remove the dirt and the HEPA Filter each time the dust container is emptied. Failure to keep the filter clean could result in the motor becoming damaged.

### **Cleaning the Dust Container**

**IMPORTANT:** Never use the vacuum cleaner without the Dust Container installed, otherwise damage to the product may occur which would not be covered by the guarantee.

1. Unplug the vacuum from the mains supply.
2. Remove the dust container from the unit.
3. Unlock and remove the dust container cover by turning the cover clockwise until the arrow on the cover aligns with the arrow on the handle and then lift the cover off. See fig.17.



4. Clean the container in warm soapy water. Ensure that the container is completely dry by assembly. See fig.18.
5. Reassemble the Dust Container and insert it back into the unit.

**Note:** It is recommended to clean the dust container at regular periods. Inserting a wet dust container into the vacuum will create an electrical hazard.

### **Motor Thermostat**

**IMPORTANT:** This unit is equipped with a motor protective thermostat. If for some reason the vacuum cleaner should overheat, the thermostat will automatically turn the unit off. Should this happen:

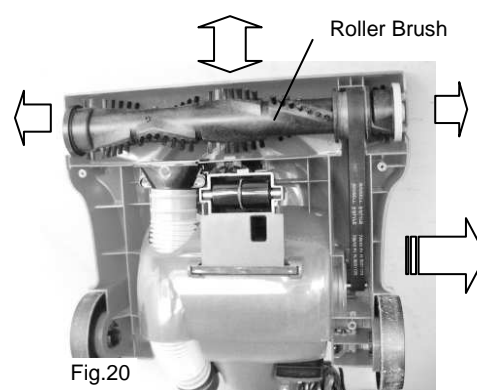
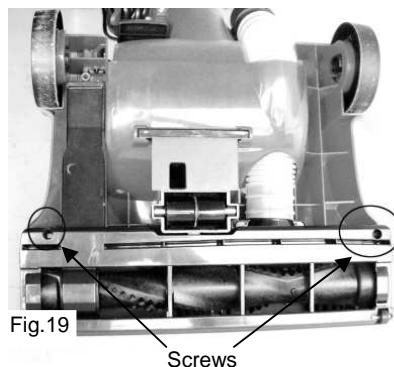
1. Push the power pedal once.
2. Disconnect the plug from the power source. Find the source of the overheating problem i.e. clogged hose or filter.
3. If a clogged hose or filter is found, unclog the hose and replace the filters.
4. Wait at least 45 minutes to allow the motor to cool down before attempting to reuse the vacuum.
5. After the unit has cooled down for 45 minutes, plug in the vacuum cleaner to the mains and turn it on. The unit should start again. If the unit fails to operate or the thermostat switches the unit off again, contact our Customer Service Department on 01473 271272.



### **Cleaning & Changing the Belt**

Over time the drive belt will become worn and may start to slip meaning it needs to be replaced. To replace the drive belt please follow the steps below:

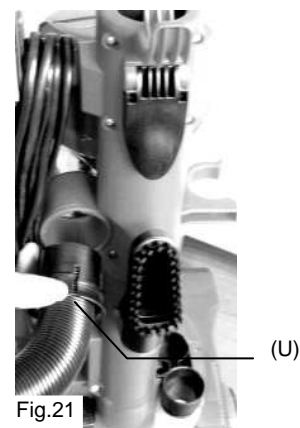
1. Unplug the cleaner from the mains.
2. Release the handle by pressing the handle release pedal (Q).
3. Carefully turn the vacuum cleaner over and remove the two fixing screws. Ensure you keep all the screws in a safe place. See fig.19.
4. With the unit still lying down, turn it around and lift the adjust knob.
5. Lift the cover of the power head off starting from the back of the power head.
6. Remove the roller brush by lifting it firmly upwards to release it. See fig.20.
7. Replace the worn out drive belt with the new drive belt. Carefully stretch the new belt over the roller brush and ensure it is well fitted at the roller ends. See fig.20.
8. Refit the cover to the power head and fix in place using the two screws you removed earlier.



**Note:** Only use the right belt. Using another belt could create a hazard and would invalidate your warranty. Drive Belt order code (IGDB0001). Please note that the drive belt is not covered by the warranty.

### **Unblocking the Lower Hose**

1. If rubbish is blocked inside the lower hose, press the tub tabs and pull the lower hose (U) from the vacuum and remove the blockage.
2. Reconnect the hose to the vacuum.



**Warning:** The hose must be connected whilst vacuuming, otherwise it will not pickup.

## Troubleshooting

Problem	Possible Cause	Solution
Machine does not work.	<ol style="list-style-type: none"> <li>1. Not properly plugged into the mains wall socket.</li> <li>2. No electricity in the mains wall socket.</li> <li>3. On/Off switch not turned on.</li> <li>4. Motor thermostat activated.</li> </ol>	<ol style="list-style-type: none"> <li>1. Plug in firmly</li> <li>2. Check fuse or breaker.</li> <li>3. Push on/off switch to on.</li> <li>4. Wait 45 minutes for the motor thermostat to reset.</li> </ol>
The suction performance is reduced.	<ol style="list-style-type: none"> <li>1. Full or clogged dust container.</li> <li>2. Wrong pile height setting.</li> <li>3. Clogged nozzle or dust inlet port.</li> <li>4. Clogged hose.</li> <li>5. Broken belt.</li> <li>6. Hose not inserted fully.</li> <li>7. Dirty filters.</li> <li>8. Rubbish blocking lower hose.</li> </ol>	<ol style="list-style-type: none"> <li>1. Clean the dust container.</li> <li>2. Adjust setting.</li> <li>3. Remove obstruction.</li> <li>4. Remove obstruction.</li> <li>5. Replace.</li> <li>6. Push hose in securely.</li> <li>7. Clean/Change filters.</li> <li>8. Press the lower hose and remove blockage.</li> </ol>
Cleaner picks up moveable rugs or is hard to push.	<ol style="list-style-type: none"> <li>1. Wrong pile height setting.</li> </ol>	<ol style="list-style-type: none"> <li>1. Adjust setting.</li> </ol>
Roller Brush does not turn.	<ol style="list-style-type: none"> <li>1. Broken belt.</li> <li>2. Belt installed incorrectly.</li> <li>3. String etc. caught around the roller.</li> </ol>	<ol style="list-style-type: none"> <li>1. Replace the belt.</li> <li>2. Check belt and re-installed / clean.</li> <li>3. Turn the cleaner over and clean away anything caught around the roller. Carefully use scissors if necessary.</li> </ol>

**2**  
YEAR GUARANTEE

This product is guaranteed for a period of 2 years from the date of purchase against mechanical and electrical defects.

The warranty **does not** cover consumable parts that require replacement under normal use or accessories. This includes filters, belts, and accessory attachments.

If your vacuum cleaner becomes faulty within 2 years of purchase please contact our Customer Service Department on 01473 271 272 or write to us at the address detailed below. Please quote the Model Number which begins **IG**, the Batch Number beginning '**5**' and give exact details of the fault.

We will then decide whether to repair or replace the item. You will be required to return a copy of your proof of purchase. Please retain your original.

If an item is replaced under guarantee within 2 years, the guarantee for the replacement item will be calculated from the purchase date of the original.

**Before calling the Customer Service number please ensure you have checked the Trouble Shooting guide.**

<b>IGENIX</b>		<b>Postal Address:</b>
<b>Tel:</b> 01473 271 272	<b>Fax:</b> 01473 270 733	Customer Service Department
<b>Email:</b> <a href="mailto:info@igenix.co.uk">info@igenix.co.uk</a>	<b>Website:</b> <a href="http://www.igenix.co.uk">www.igenix.co.uk</a>	Pik-a-Pak Electrical Distributors
		38 Bluestem Road,
		Ransomes Europark,
		Ipswich, IP3 9RR
<i>When writing or emailing us to report a fault please ensure you attach a copy of your proof of purchase. Please retain your original</i>		